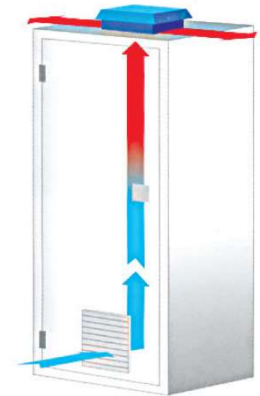




Roof fans

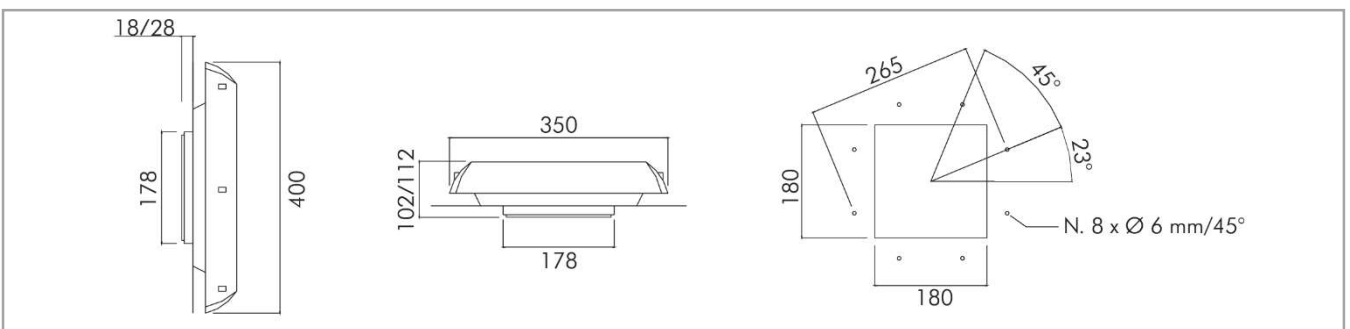
ALFATORR ROOF FAN AND VENT



IP44		ALFATORRB	ALFATORR0600B	ALFATORR0610B	ALFATORR0860B	ALFATORR0861B	ALFATORR1000B	ALFATORR1010B
c File n. E301228		ALFATORRUB	ALFATORR0600UB	ALFATORR0610UB	ALFATORR0860UB	ALFATORR0861UB	-	-
Air flow rate (free blow)	m ³ /h	-	600 / 625		860 / 950		1000 / 1050	
Air flow rate with inlet filter	m ³ /h	-	430 / 450		580 / 640		700 / 720	
IP54		ALFATORRBF	ALFATORR0600BF	ALFATORR0610BF	ALFATORR0860BF	ALFATORR0861BF	ALFATORR1000BF	ALFATORR1010BF
Air flow rate (free blow)	m ³ /h	-	480 / 500		670 / 760		800 / 840	
Air flow rate with inlet filter	m ³ /h	-	345 / 360		465 / 510		560 / 580	
Power supply	V ph Hz	-	230 1 50/60	115 1 50/60	230 1 50/60	115 1 50/60	230 1 50/60	115 1 50/60
Dimensions	IP44 IP54	mm	400x350x102					
LxPxH			400x350x112					
Power consumption	W	-	70/90		85/115		120/170	
Current consumption	A	-	0.32 / 0.40	0.64 / 0.80	0.43 / 0.50	0.86 / 1.00	0.50 / 0.75	1.00 / 1.50
Overcurrent protection	-	-	Thermal					
Electrical connection	-	-	3-pole terminal					
Duty cycle	-	-	100%					
Operating temperature	°C (°F)		-10 / +70 (+14 / +158)					
Protection class	-	-	Classe I					
Noise level	dB (A)	-	64 / 65		72 / 73			
Flow direction	-	-	Inside-out					
Bearing	-	-	ball					
Service life (at 40°C)	hrs	-	50 000					
Material	-		ABS UL94V-0 Color RAL7035					
Gasket	-		Self-adhesive					
Weight (with packaging)	kg	2.30 (2.50)	3.65 (3.85)		4.00 (4.20)		4.75 (4.95)	
Package dimensions	mm		410x360x130					
Mounting	-		screws					
Conformità / Certificazioni	-		CE					

Accessories

Thermostat 0-60°C, NO contact	THV2
Inlet filter	ATV5000
Spare filter mat (for IP54 version)	ALFAFT10
Fan speed controller	FSC1



Specifications, values and drawings are subject to change without notice.