



Thermal management for electrical enclosures



LEDLAMP32

Enclosures LED lamp series User's manual

www.alfaelectric.com

WARNING

- Safety of LEDLAMP32 is warranted only by proper use of these instruction which must be kept.
- Installation must be done by qualified personnel only after power supply disconnecting
- Before any operation, switch off the power supply.
- Install the lamp only inside an electrical enclosure.
- LEDs cannot be replaced or repaired, don't open the LEDLAMP32 casing.
- Follow all technical data shown in this manual.

1 - DESCRIPTION

GENERAL DESCRIPTION

LEDLAMP32 is a lamp series specially designed for lighting in electrical enclosures. LEDLAMP32 fitted with magnet or screws fixing it responds at all lighting needs thanks to orientable clip.

Power supply	V/Hz	20-60 VDC / 95-265 VAC 50-60 Hz 20-230VDC (only CE)
Luminosity	Lm	400
Lamp type	-	LED
Power consumption	W	2,5
Service life (@ 20°C)	hr	60 000
Switch	-	on/off switch or motion sensor*
Electrical connection	-	2-poles spring terminals **
Casing	-	PC plastic

Protection degree / Class	-	IP20 / Class II
Operating temperature	°C(°F)	-30 / +60 (-22 / +140)
Storage temperature	°C(°F)	-40 / +85 (-40 / +185)
Mounting	-	screw fixing or magnet fixing
Installation position	-	Variable
Dimensions	mm	Ø32x345
Weight	kg	0.155
Conformity	-	CE, UL File E301228

*5min switched on after last detection
** 0.5-2.5mm

This manual contains the information necessary for the product to be installed correctly and also instructions for its maintenance and use; we therefore recommend that the utmost attention is paid to the following instructions.

Though this manual has been issued with the greatest care, ALFAELECTRIC will not take any responsibility deriving from its use.

The same applies to each person or Company involved in the issuing of this manual.

This document is the exclusive property of ALFAELECTRIC which forbids any reproduction and divulgation, even in part, of the document, unless expressly authorized.

ALFAELECTRIC reserves the right to make any formal or functional changes at any moment and without any notice.

2 - INSTALLATION

2.1 GENERAL DESCRIPTION

LEDLAMP32 could be installed by screws or by magnet according to order code.

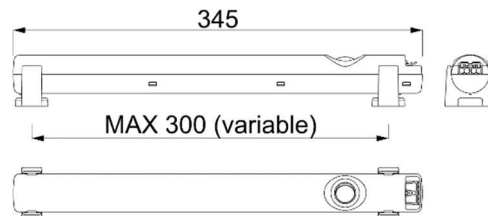
Last number of the code shows installation type:

- 0 = screws fixing
- 1 = magnet fixing

2.2 INSTALLATION

- Find the most appropriate position where install the lamp inside of electrical enclosure.
- Fix plastic clips with adequate screws (in case of screw fixing) or place the magnetic clips on a metallic surface (in case of magnetic fixing).

WARNING: ALFAELECTRIC suggests to fix clips with a suitable distance. (MAX 300mm)



Clip position have to permit the right rotation of LEDLAMP32, keep warning that clip doesn't work near switch or motion sensor position: in this position



Thermal management for electrical enclosures



LEDLAMP32

Enclosures LED lamp series User's manual

www.alfaelectric.com

WARNING

- Safety of LEDLAMP32 is warranted only by proper use of these instruction which must be kept.
- Installation must be done by qualified personnel only after power supply disconnecting
- Before any operation, switch off the power supply.
- Install the lamp only inside an electrical enclosure.
- LEDs cannot be replaced or repaired, don't open the LEDLAMP32 casing.
- Follow all technical data shown in this manual.

1 - DESCRIPTION

GENERAL DESCRIPTION

LEDLAMP32 is a lamp series specially designed for lighting in electrical enclosures. LEDLAMP32 fitted with magnet or screws fixing it responds at all lighting needs thanks to orientable clip.

Power supply	V/Hz	20-60 VDC / 95-265 VAC 50-60 Hz 20-230VDC (only CE)
Luminosity	Lm	400
Lamp type	-	LED
Power consumption	W	2,5
Service life (@ 20°C)	hr	60 000
Switch	-	on/off switch or motion sensor*
Electrical connection	-	2-poles spring terminals **
Casing	-	PC plastic

Protection degree / Class	-	IP20 / Class II
Operating temperature	°C(°F)	-30 / +60 (-22 / +140)
Storage temperature	°C(°F)	-40 / +85 (-40 / +185)
Mounting	-	screw fixing or magnet fixing
Installation position	-	Variable
Dimensions	mm	Ø32x345
Weight	kg	0.155
Conformity	-	CE, UL File E301228

*5min switched on after last detection
** 0.5-2.5mm

This manual contains the information necessary for the product to be installed correctly and also instructions for its maintenance and use; we therefore recommend that the utmost attention is paid to the following instructions.

Though this manual has been issued with the greatest care, ALFAELECTRIC will not take any responsibility deriving from its use.

The same applies to each person or Company involved in the issuing of this manual.

This document is the exclusive property of ALFAELECTRIC which forbids any reproduction and divulgation, even in part, of the document, unless expressly authorized.

ALFAELECTRIC reserves the right to make any formal or functional changes at any moment and without any notice.

2 - INSTALLATION

2.1 GENERAL DESCRIPTION

LEDLAMP32 could be installed by screws or by magnet according to order code.

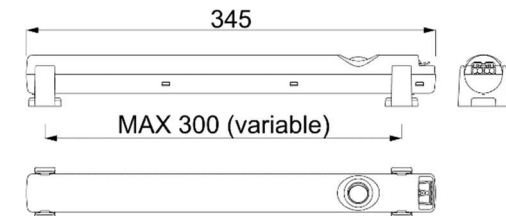
Last number of the code shows installation type:

- 0 = screws fixing
- 1 = magnet fixing

2.2 INSTALLATION

- Find the most appropriate position where install the lamp inside of electrical enclosure.
- Fix plastic clips with adequate screws (in case of screw fixing) or place the magnetic clips on a metallic surface (in case of magnetic fixing).

WARNING: ALFAELECTRIC suggests to fix clips with a suitable distance. (MAX 300mm)



Clip position have to permit the right rotation of LEDLAMP32, keep warning that clip doesn't work near switch or motion sensor position: in this position

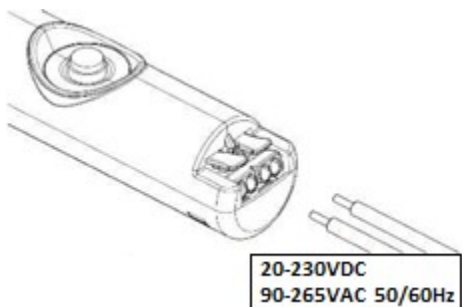
LEDLAMP32 section isn't circular and it could make hard the rotation.

WARNING: in case of magnetic fixing check to ensure that the holding power of the magnets is adequate to stand lamp weight included electrical wiring.

3 – ELECTRICAL CONNECTION

3.1 GENERAL DESCRIPTION

LEDLAMP32 could be powered with a wide range of voltage.



WARNING: In case of DC voltage is not needed to respect any polarity

3.2 ELECTRICAL CONNECTION

WARNING

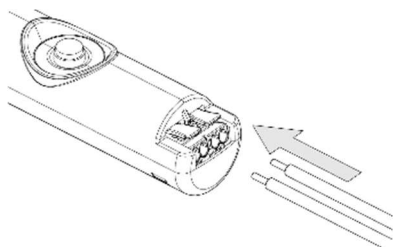
- Installation must be done by qualified personnel only after power supply disconnecting
- Before any operation, switch off the power supply.
- Install the lamp only inside an electrical enclosure.

Connect the LEDLAMP32 to the power supply by adequate section cable according to dimension allowed by terminal.

LEDLAMP32 terminals are suitable to connect rigid or stranded wires according following range:

- 0.5 - 2.5 mm² solid,
- 0.75 - 2.5 mm² stranded,
- 0.5 - 1.5 mm² fine stranded wire with ferrule

To connect the wire push slightly it inside of terminal

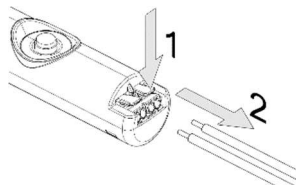


3.3 ELECTRICAL DISCONNECTION

WARNING

- Disconnection must be done by qualified personnel only after power supply disconnecting
- Before any operation, switch off the power supply.

To disconnect the wire, push the button and pull out the wire from terminal



4 - OPERATING

4.1 LEDLAMP3200, LEDLAMP3201

The lamp, once connected to the power supply, lights by moving the switch to the on position (I) and it turns off by moving the switch to the off position (O).

4.2 LEDLAMP3210, LEDLAMP3211

The lamp is fitted with a motion sensor, it adjusts the lamp power on or power off according to detected presences.

The sensor detects a presence within a radius of about 3 meters, turning off the lamp automatically after 5 minutes passed without detections.

AFTER FIRST START UP THE LAMP MAKES SOME OPERATIONS BEFORE TO BEGIN OPERATIVE.

PLEASE WAIT FEW SECONDS, AFTER THIS TIME SENSOR CAN DETECT MOTIONS PROPERLY

5 - CLEANING, MAINTENANCE AND DISPOSAL

Cleaning and maintenance must be done only by specialized people after switching off power supply.

For cleaning use only a wiper.

LEDLAMP32 must be disposed of separately from ordinary household wastes

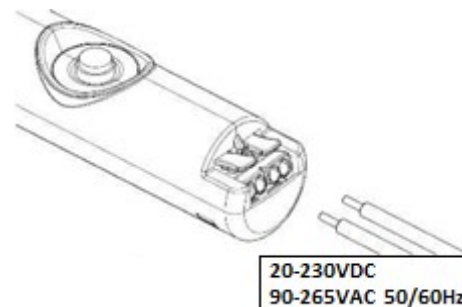
LEDLAMP32 section isn't circular and it could make hard the rotation.

WARNING: in case of magnetic fixing check to ensure that the holding power of the magnets is adequate to stand lamp weight included electrical wiring.

3 – ELECTRICAL CONNECTION

3.1 GENERAL DESCRIPTION

LEDLAMP32 could be powered with a wide range of voltage.



WARNING: In case of DC voltage is not needed to respect any polarity

3.2 ELECTRICAL CONNECTION

WARNING

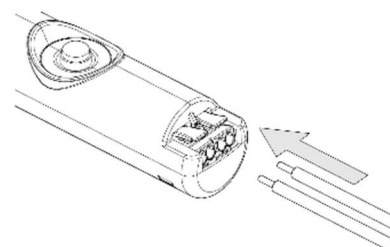
- Installation must be done by qualified personnel only after power supply disconnecting
- Before any operation, switch off the power supply.
- Install the lamp only inside an electrical enclosure.

Connect the LEDLAMP32 to the power supply by adequate section cable according to dimension allowed by terminal.

LEDLAMP32 terminals are suitable to connect rigid or stranded wires according following range:

- 0.5 - 2.5 mm² solid,
- 0.75 - 2.5 mm² stranded,
- 0.5 - 1.5 mm² fine stranded wire with ferrule

To connect the wire push slightly it inside of terminal

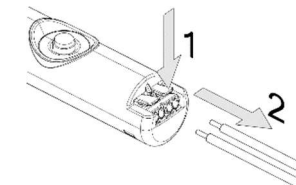


3.3 ELECTRICAL DISCONNECTION

WARNING

- Disconnection must be done by qualified personnel only after power supply disconnecting
- Before any operation, switch off the power supply.

To disconnect the wire, push the button and pull out the wire from terminal



4 - OPERATING

4.1 LEDLAMP3200, LEDLAMP3201

The lamp, once connected to the power supply, lights by moving the switch to the on position (I) and it turns off by moving the switch to the off position (O).

4.2 LEDLAMP3210, LEDLAMP3211

The lamp is fitted with a motion sensor, it adjusts the lamp power on or power off according to detected presences.

The sensor detects a presence within a radius of about 3 meters, turning off the lamp automatically after 5 minutes passed without detections.

AFTER FIRST START UP THE LAMP MAKES SOME OPERATIONS BEFORE TO BEGIN OPERATIVE.

PLEASE WAIT FEW SECONDS, AFTER THIS TIME SENSOR CAN DETECT MOTIONS PROPERLY

5 - CLEANING, MAINTENANCE AND DISPOSAL

Cleaning and maintenance must be done only by specialized people after switching off power supply.

For cleaning use only a wiper.

LEDLAMP32 must be disposed of separately from ordinary household wastes